

Handling System for Rack Type Pre-wash Table with Sink, Left to Right, 1200mm

ITEM # _____

MODEL # _____

NAME # _____

SIS # _____

AIA # _____


865405 (BHRPTB11L)

 Prewash table with bowl for
 Rack Type Dishwasher, Left to
 Right, 1200 mm

Short Form Specification

Item No. _____

Designed for rack type dishwashers. Constructed in 304 AISI stainless steel. Integrated splashback.

N. 2 square 40x40mm square legs with height-adjustable feet. Sink size 500x400x300mm with overflow pipe and drain hole.

Basket direction: from left to right.

Main Features

- Supplied knocked-down and easy to assemble.
- Designed for 500x500 mm dishwashing racks.
- The table is intended to be directly connected with the rack type in the loading side from left to right direction.
- Suitable to be installed alone with the rack type dishwasher to save space.

Construction

- 304 AISI stainless steel construction throughout.
- Included splashback to prevent water spatter.
- Deep anti-drip profiles completely folded with lower edge for safe and easy cleaning.
- All surfaces smooth with polished finish.
- 40x40 mm square tubular legs in AISI 304 stainless steel.
- Stainless steel feet 50 mm adjustable in height to ensure that tables drain back into the dishwasher.
- To be secured to the dishwasher and fitted with one pair of legs at the other end.
- Optionally equipped with undershelf, pre-rinse unit, strainer basket and scrap plate.

Optional Accessories

- 2 legs for floor mounted storing shelf PNC 855296
- Dish scraper PNC 855297
- Double hole deck mounted elbow operated mixing temperature faucet with pre-rinse unit PNC 855379
- Deck mounted mixing temperature pre-rinse unit PNC 855380
- Wall mounted mixing temperature pre-rinse unit PNC 855381
- Single hole deck mounted mixing temperature pre-rinse unit PNC 855385
- Single hole deck mounted elbow operated mixing temperature faucet with pre-rinse unit PNC 855386
- Single hole deck mounted riser add-on mixing temperature faucet with pre-rinse unit PNC 855389
- Undershelf for Dishwasher table, 1200 mm PNC 865352
- Floor fastening kit for 2 square legs PNC 865386
- Removable bridge table, 800 mm PNC 865418
- Removable bridge table with hole, 800 mm PNC 865419

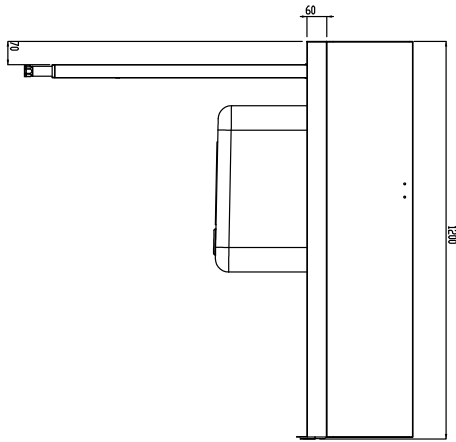
APPROVAL: _____

- Wall/floor mounted storing shelf, 1100 mm PNC 865420
- Single plastic drain syphon 2" for Sinks PNC 895313

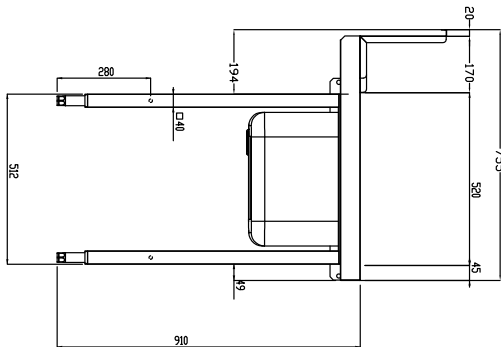
Recommended Detergents

- C11 Detergent for dishwashers; one pack of 2 cans of 5lt. PNC 0S2092
- C13 ECO Detergent for dishwashers; one pack of 2 cans of 5lt. PNC 0S2093
- C12 Rinse aid for dishwashers; one pack of 2 cans of 5lt. PNC 0S2094
- C11 Detergent for dishwashers; 1 can of 20lt. PNC 0S2281
- C30 Multipurpose descaler; one pack of 2 cans of 5lt. PNC 0S2362
- C15 ECO Rinse aid for dishwashers; one pack of 2 cans of 5lt. PNC 0S2904

Front

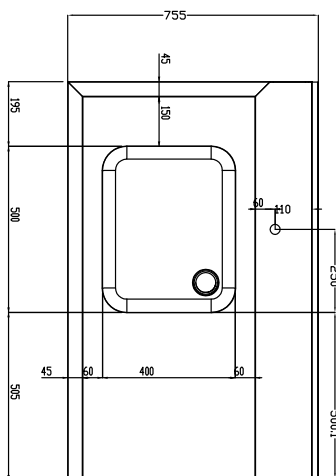


Side



D = Drain

Top


Key Information:

External dimensions, Width:	1200 mm
865405 (BHRPTB11L)	
External dimensions, Depth:	755 mm
External dimensions, Height:	1170 mm
Net weight:	22 kg
Splashback Dimensions, Height:	260 mm
Basin dimensions:	